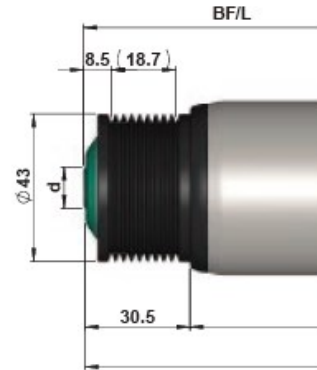




Conveyor Rollers for
Industry & Commerce

2250/2260 Series Rollers



Diameter (D)	Wall Thickness (t)	Shaft (d)	Galvanized
1.9"	16 ga	7/16"	✓

* Customization upon request

The 22350 series roller is a poly-vee roller suitable with many belt applications. The poly-vee bearing features 9-V grooves which applies with many belt options. The poly-vee pulley is located at the end of the roller which separates the drive area and conveying area making conveying smooth, high speed and low noise. Each roller comes equipped with a polymer housed precision bearing, end cap, spring loaded shafts and tube.

